



# ALACO Ladder Company

888-310-7040 www.alacoladder.com  
Fax - 909-591-7565  
Email - sales@alacoladder.com

## Library Ladder Estimate Form

### How to order or get an estimate on your ladder

Complete all the information on this form and email or fax back all 3 pages.

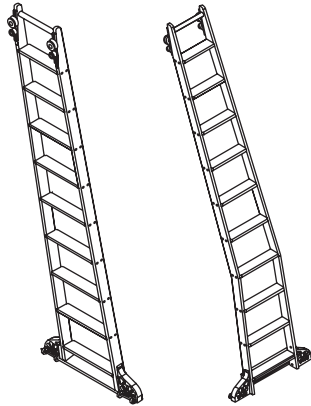
We will contact you with an estimate or to arrange delivery of your Library Ladder and Track.

## 1. Make Ladder Choices

Check all boxes that apply.

### Specify Ladder

**Staight**



**Bent**  
(To clear obstruction)

### Specify Material

#### Material:

Wood  Aluminum

#### Wood Type:

Birch  Cherry  Mahogany  
 Maple  Red Oak  White Oak  
 Walnut  Alder  Specify Other: \_\_\_\_\_

#### Wood Finish:

Unfinished  Clear  Stain to Match  
 Specify Minwax Stain: \_\_\_\_\_

**Wood Finish also select:**  Gloss  Satin

#### Aluminum Ladder:

Aluminum library ladders come standard with no finish. Ladders can be powdercoated in the following standard colors. Optional colors are also available.

Matte Black  Gloss Black  Bronze  
 Matte White  Gloss White  Specify Other: \_\_\_\_\_

Contact \_\_\_\_\_

Company \_\_\_\_\_

Address \_\_\_\_\_

City \_\_\_\_\_ State \_\_\_\_\_ Zip \_\_\_\_\_

Phone \_\_\_\_\_ Fax \_\_\_\_\_

Email \_\_\_\_\_

### Specify Handrails

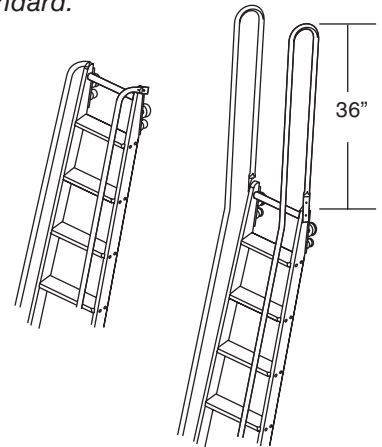
*Handrails do not come standard.*

#### Flush Handrails:

Left Side  
 Right Side  
 Both Sides

#### Extended Handrails:

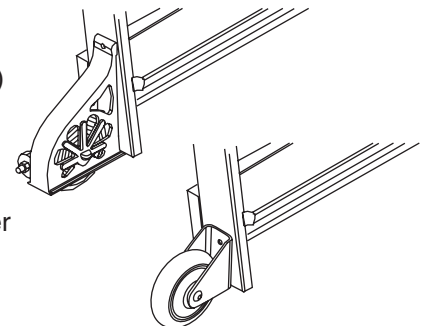
Left Side  
 Right Side  
 Both Sides



### Specify Wheel Housing

**Sunburst Pattern**  
(Wood Ladder only)

**Contemporary**  
 Aluminum Ladder  
 Wood Ladder





# ALACO Ladder Company

888-310-7040 www.alacoladder.com  
Fax - 909-591-7565  
Email - sales@alacoladder.com

## Library Ladder Estimate Form

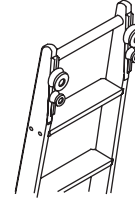
### Specify Hardware Finish

All hardware, including wheel housing, upper roller assembly, handrails, metal track (if ordered), brackets, braces and bolts will be done in this finish.

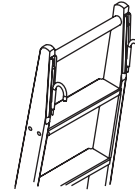
- Chrome:  Satin
- Nickel:  Satin  Antique
- Copper:  Satin  Antique
- Brass:  Satin  Antique  
 Heavy/No Lacquer
- Bronze:  Antique/Oil Rub
- Powdercoated Finishes:
- Matte Black  Gloss Black  
 Matte White  Gloss White  
 Bronze

### Specify Upper Assembly

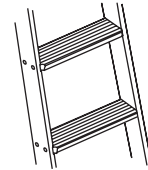
- Roller Assembly**  
For affixed rolling ladder.



- Hook Assembly**  
For a removable ladder.



- Optional Safety Tread**  
No-slip tread added to all steps  
(wood only)



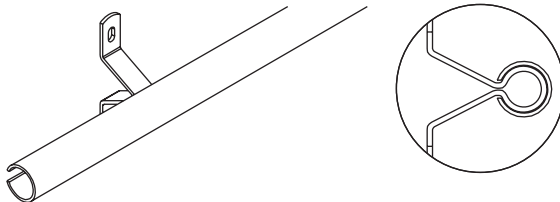
## 2. Make Track & Bracket Choices

Check the box that applies.  
See Step 3 for specifying Curved Tracks.

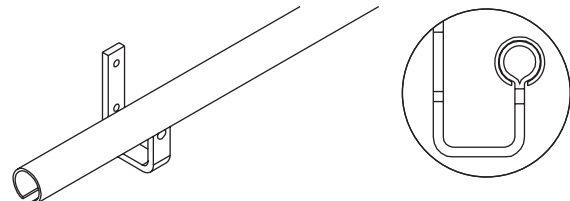
### For Steel Tracks

Track and brackets to match specified hardware finish.  
Brackets must be mounted no more than every 48".

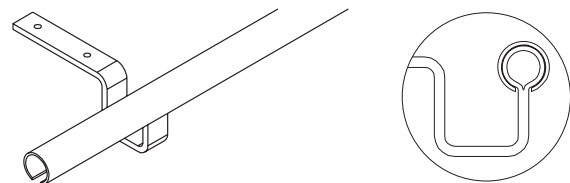
- Vertical Brackets for Ladders  
with Roller Assembly**



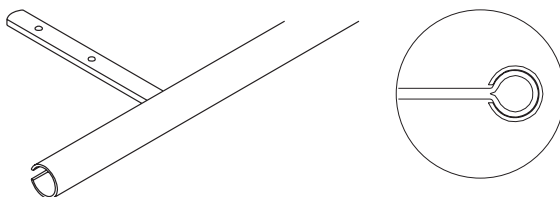
- Vertical Brackets for Ladders  
with J Hook Assembly**



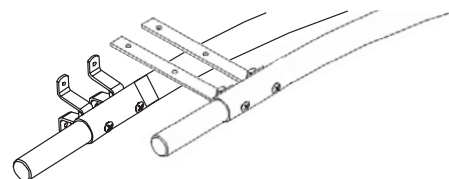
- Horizontal Brackets for Ladders  
with J Hook Assembly**



- Horizontal Brackets for Ladders  
with Roller Assembly**



- Steel Curved Track for Corners**  
In 45° or 90°, with standard 34-1/2" radius.  
Custom curves available.





# ALACO Ladder Company

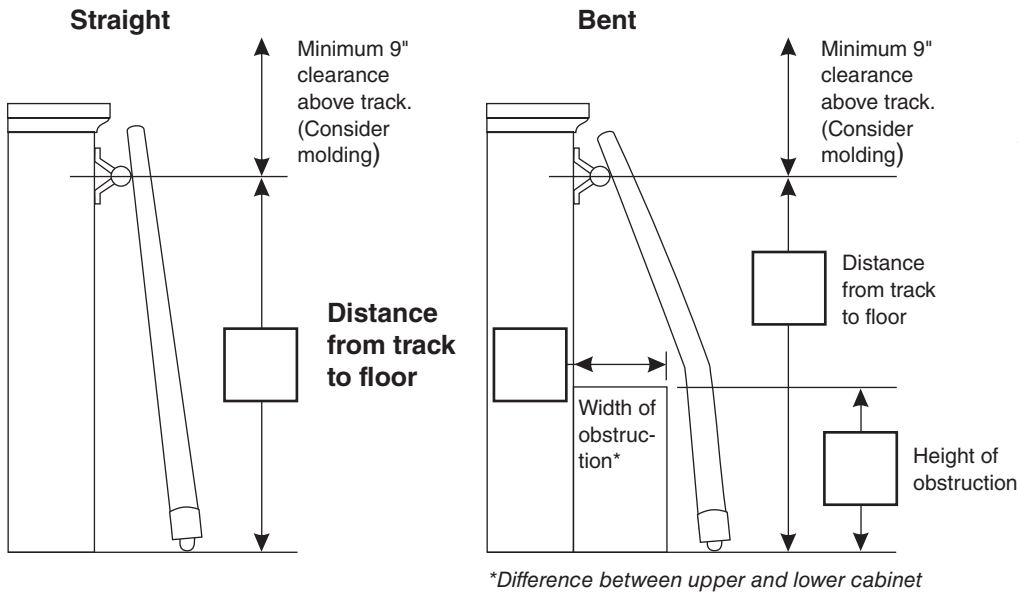
888-310-7040 www.alacoladder.com  
Fax - 909-591-7565  
Email - sales@alacoladder.com

## Library Ladder Estimate Form

### 3. Provide Dimensions

Fill in all dimensions that apply.

#### Library Ladder Dimensions



Number of brackets supplied will be based on 30" spacing.

- Check here if mounting surfaces require more brackets.
- If you would like ALACO to assist you in figuring your dimensions, please check this box and fax us a separate sketch of your room or floor plans.

#### Track Dimensions

