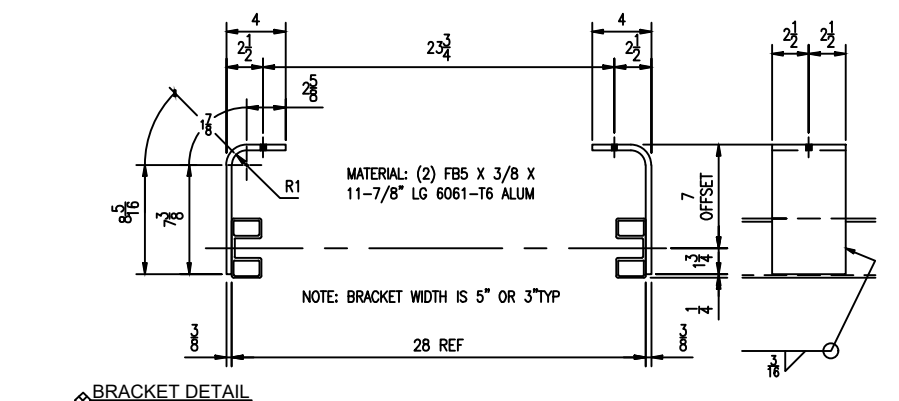
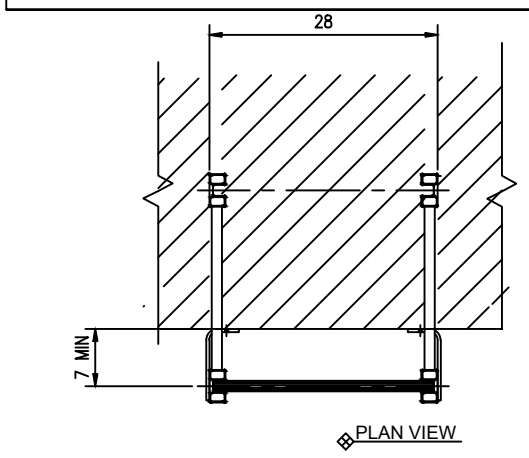
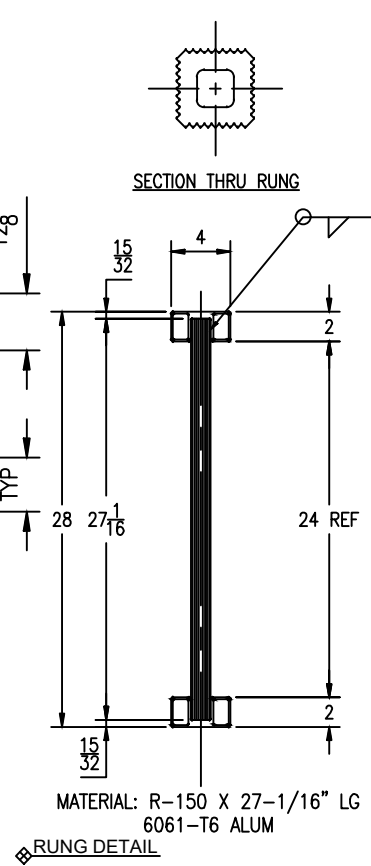
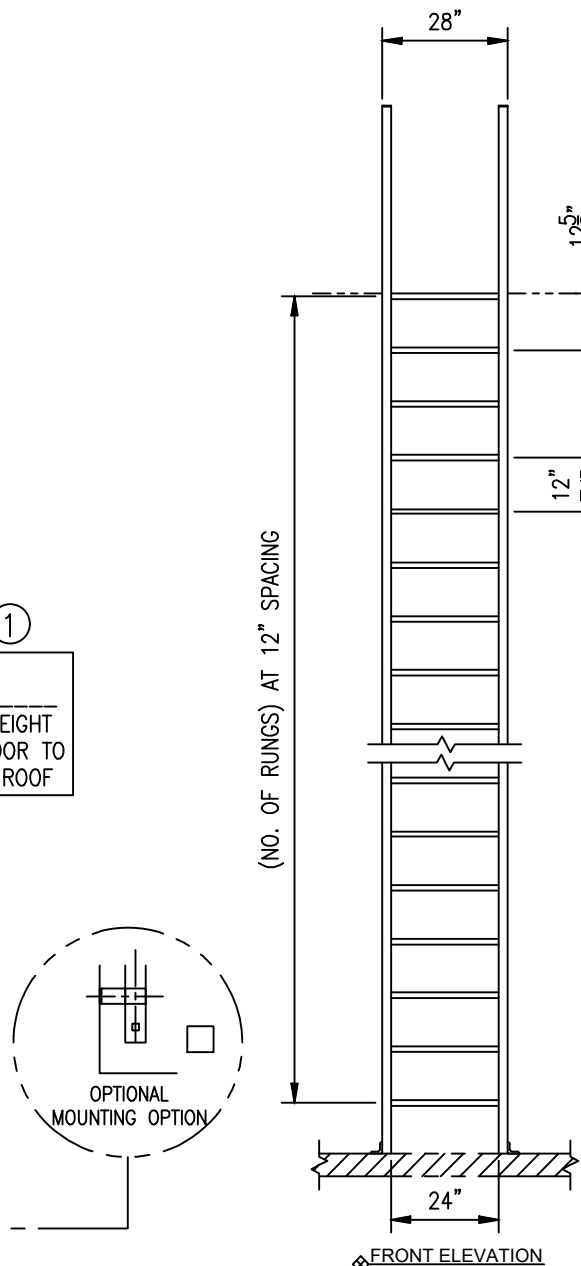
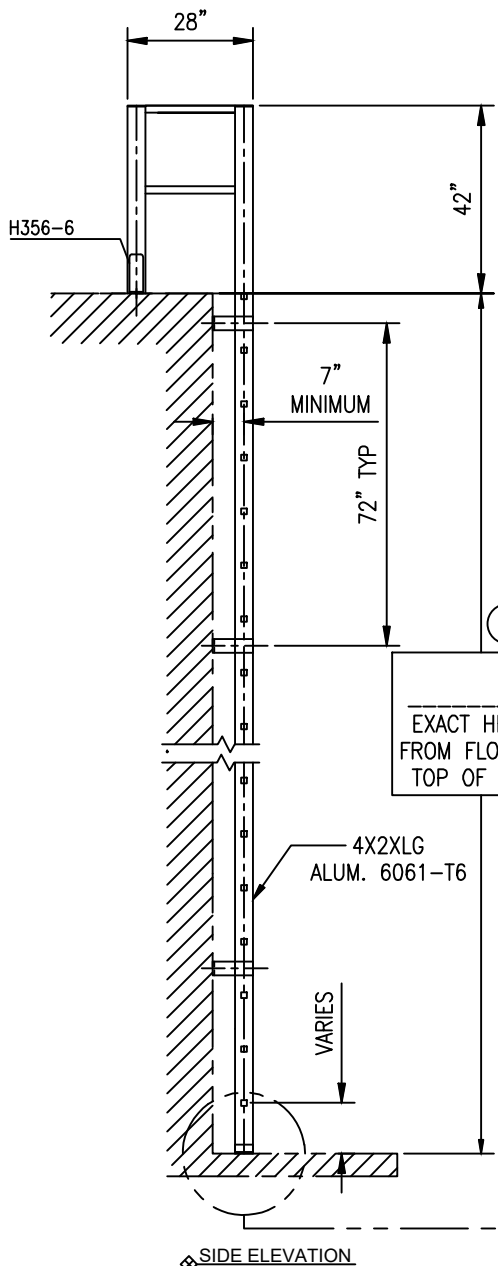




" ALL OUR LADDERS ARE OSHA AND ANSI A14.3 COMPLIANT"

**MODEL 562HD**  
HEAVY-DUTY ALUMINUM FIXED WALL LADDER  
ROOF RETURN ACCESS



COMPANY: \_\_\_\_\_ PHONE: \_\_\_\_\_

ADDRESS: \_\_\_\_\_

EMAIL: \_\_\_\_\_

PROJECT NAME: \_\_\_\_\_

**SELECT DESIRED ACCESSORY**

72" SECURITY DOOR       96" SECURITY DOOR       REST PLATFORM

SELF CLOSING GATE

EXTRA LONG BRACKET (DIMENSIONS FROM WALL TO CENTER LINE OF LADDER) \_\_\_\_\_

ENGINEERING CALCULATIONS AND STAMPED DRAWING

FALL PROTECTION SYSTEM (REQUIRED ON LADDERS 24'0" AND HIGHER)

POWDER COAT FINISH COLOR: \_\_\_\_\_