



ALACO
Rolling Ladders

5167 "G" Street • Chino, California 91710-5143 • Phone: 888-310-7040 • www.alacoladder.com

**ROLLING LADDER
ESTIMATE/ORDER FORM**



WHEN COMPLETED, FAX ALL 3 PAGES TO: 909-591-7565

HOW TO ORDER OR GET AN ESTIMATE ON YOUR LADDER

Complete all the information and fax back all pages. We will contact you with an estimate or to arrange delivery of your Rolling Ladder and Track.

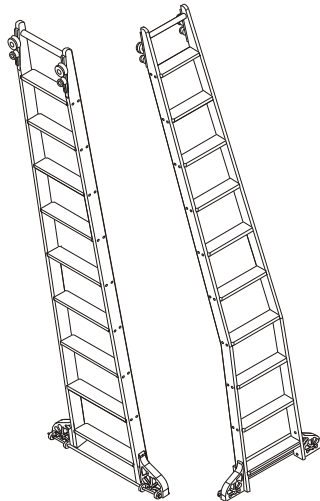
CONTACT		COMPANY NAME	
ADDRESS		CITY	STATE ZIP
PHONE	FAX	E-MAIL	

1 MAKE LADDER CHOICES
Check all the boxes that apply.

SPECIFY LADDER

LADDER TYPE:

- STRAIGHT
- BENT (To clear obstruction)



WOOD TYPE:

- BIRCH
- CHERRY
- MAHOGANY
- MAPLE
- RED OAK
- WALNUT
- WHITE OAK
- OTHER:
Specify _____

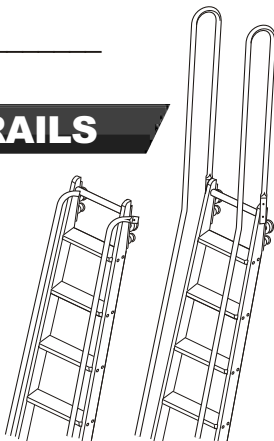
WOOD FINISH:

- UNFINISHED
- CLEAR FINISH: GLOSS SATIN
- MINWAX STAIN:
Specify _____

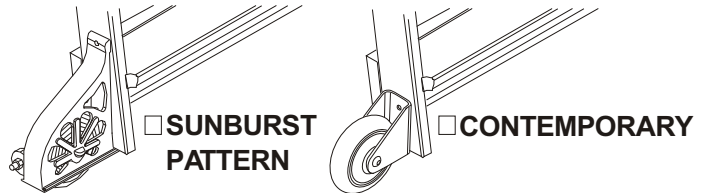
SPECIFY HANDRAILS

NO HANDRAIL STANDARD FLUSH HANDRAILS:

- Both Sides
- Left Side Right Side
- EXTENDED HANDRAILS:**
- Both Sides
- Left Side Right Side



SPECIFY WHEEL HOUSING



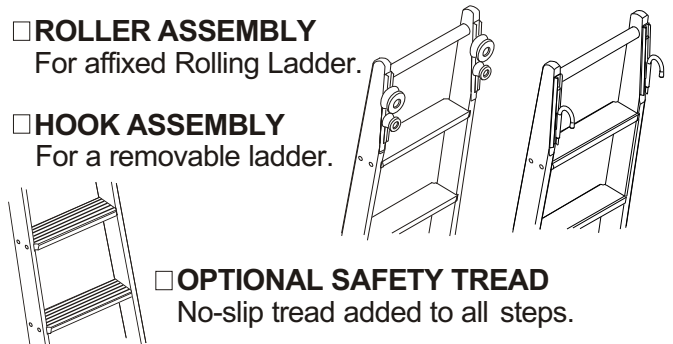
SPECIFY HARDWARE FINISH

All hardware, including wheel housing, upper roller assembly, handrails, metal track (if ordered), brackets, braces and bolts will be done in this finish.

- Chrome: Polished Satin
- Nickel: Polished Satin Antique Polished Black
- Copper: Polished Satin Antique
- Brass: Polished Satin Antique Heavy/No Laquer
- Bronze: Antique/Oil Rub
- Powder Coated Finishes: Matte Black Gloss Black
- Matte White Gloss White Beige Metallic

SPECIFY UPPER ASSEMBLY

- ROLLER ASSEMBLY**
For affixed Rolling Ladder.
- HOOK ASSEMBLY**
For a removable ladder.
- OPTIONAL SAFETY TREAD**
No-slip tread added to all steps.





WHEN COMPLETED, FAX ALL 3 PAGES TO: 909-591-7565

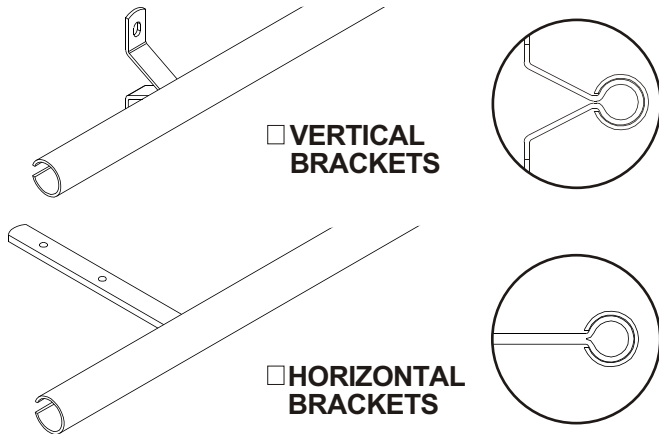
2 MAKE TRACK & BRACKET CHOICE

Check the box that applies. See Step 3 for specifying Curved Tracks.

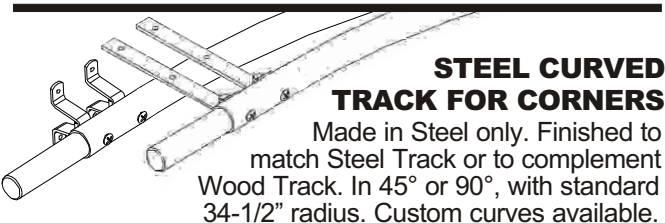
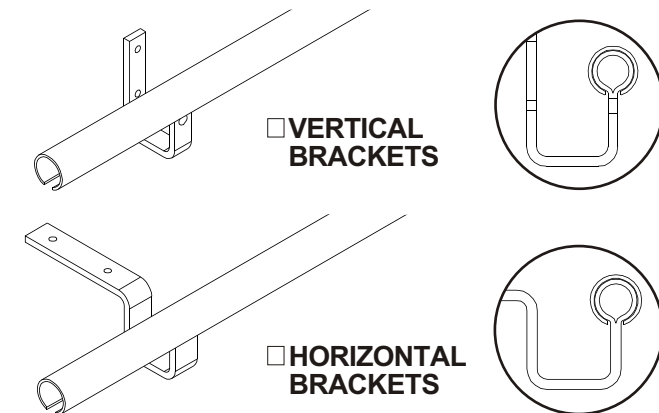
FOR STEEL TRACKS

Track and Brackets to match specified Hardware finish. Brackets must be mounted no more than every 48".

LADDERS WITH ROLLER ASSEMBLY



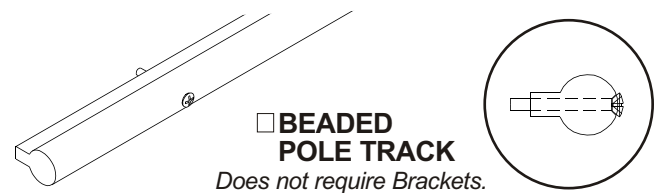
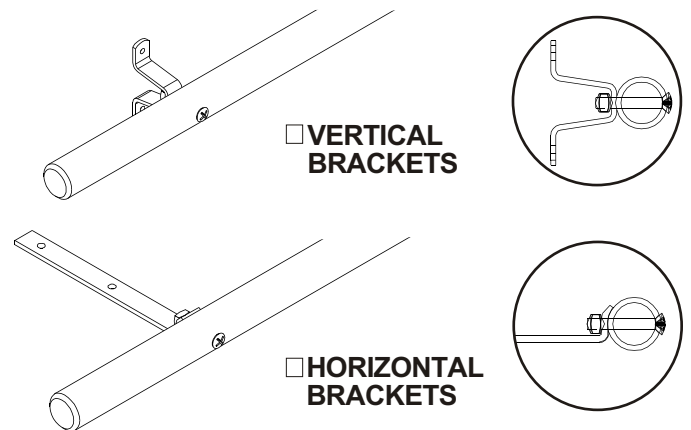
LADDERS WITH J HOOK ASSEMBLY



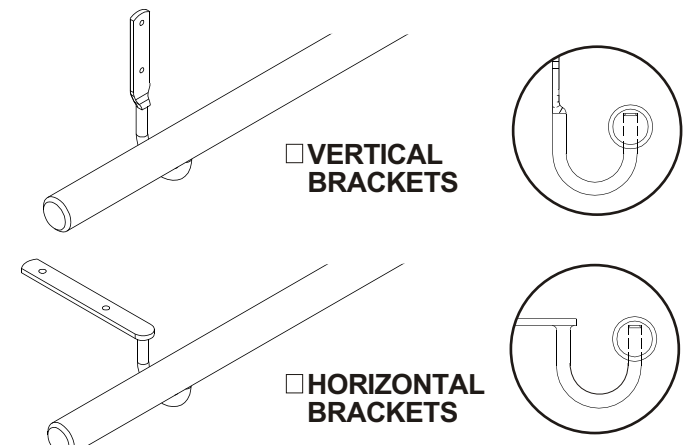
FOR WOOD TRACKS

Track to match specified Ladder finish. Brackets to match specified Hardware finish. Brackets must be mounted no more than every 30".

LADDERS WITH ROLLER ASSEMBLY



LADDERS WITH J HOOK ASSEMBLY





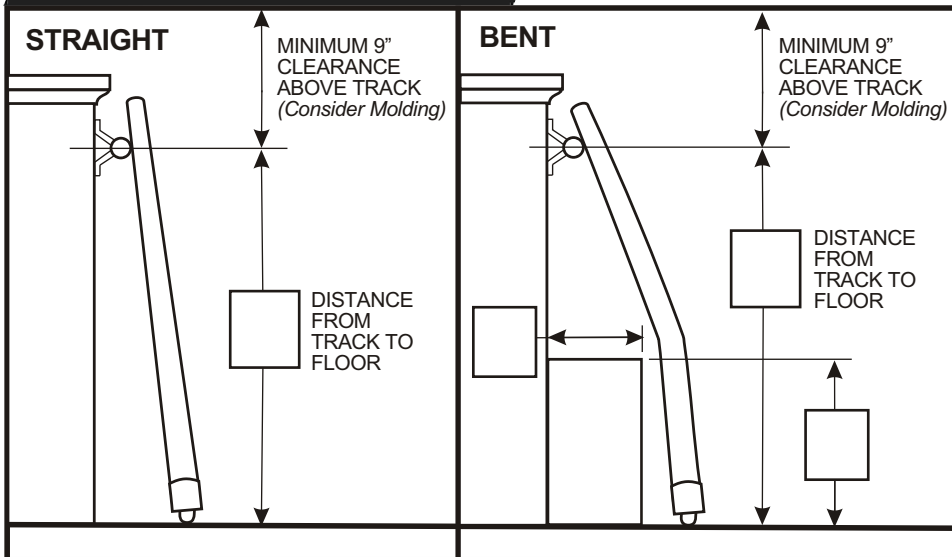
WHEN COMPLETED, FAX ALL 3 PAGES TO: 909-591-7565

3

PROVIDE DIMENSIONS

Fill in all the dimensions that apply.

LADDER DIMENSIONS



TRACK DIMENSIONS

